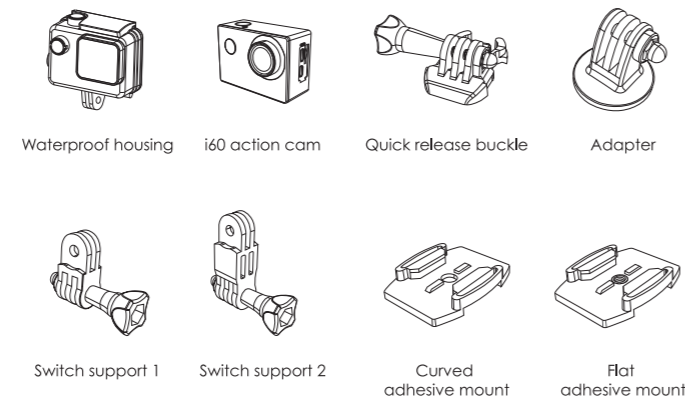


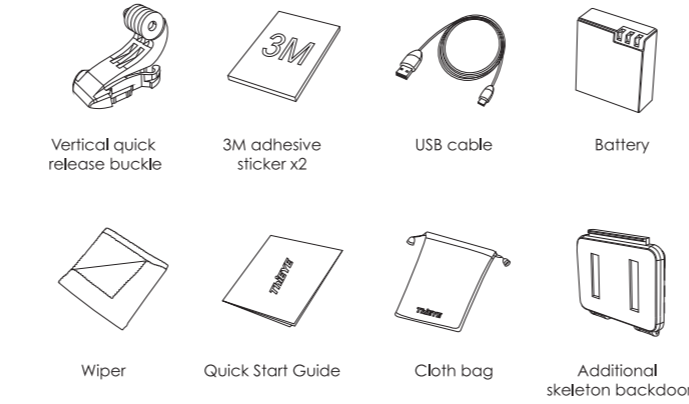


Action Cam i60 QUICK START GUIDE

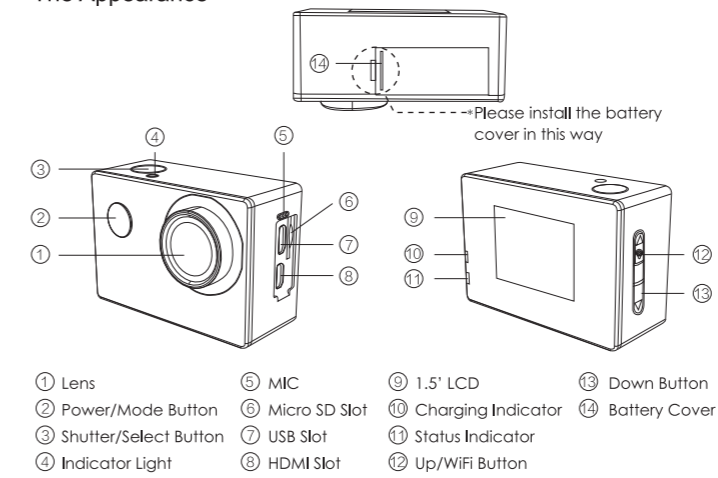
Packing Details - 1



Packing Details - 2



The Appearance



Connect Your Smartphone to Camera

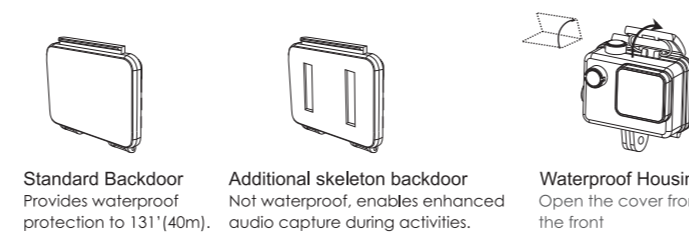
- Download ThiEYE App. Please scan the QR code on the color box to download ThiEYE App, or download from our official website www.thieye.com.
 - Hold UP/Wi-Fi Button for 2-3s, the LCD will show "Waiting for WiFi Connection...".
 - Method One:** Open the App and click the "Connect" button, and then input the password following the instruction.
Method Two: Connect your smartphone to Wi-Fi Network (Name: ThiEYE*60, Password: 1234567890), then open the App and click the "Connect" button. (* iOS device can only use method two)
 - View and control your camera on smartphone via App.
- * Operating system support: Windows 7/Vista/XP

Basic Operation

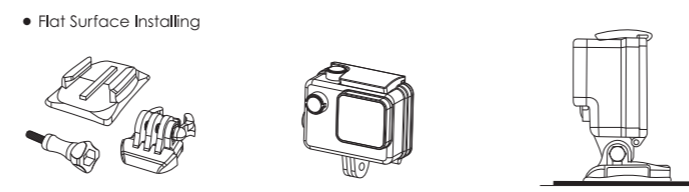
- Charge the camera**
Connect the camera with power plug or PC via USB cable, charge it until the charging indicator turn into blue from red.
- Insert Micro SD card**
Insert a Micro SD card .(Class 10 or UHS-I required, sold separately.)
- Turn on/off the camera**
Hold the Power/Mode Button "⏻" for 2-3s to power on/off the camera.
- Mode Switching**
Repeatedly press Power/Mode Button "⏻" to switch mode, there will be modes: Video Recording, Photo, File, Video Settings, Photo Settings, Camera Settings.
- Video and Photo**
Video Recording: Choose Video Recording mode, press Shutter/Select Button "⏻" to turn on/off, there will be a red dot flash during recording.
Take Photos: Choose Photo mode, press Shutter/Select Button "⏻".
- Video Recording Mode**
Timelapse: To take continuous photos at the interval of 3/5/10/30/60s of a changing

- scene, then form into a time lapse video when play at normal video speed.
- Quick Shooting:** Automatically start recording videos when turn on the camera.
- Looping Record:** Record and save videos every 1/3/5min, the latest video will overwrite the oldest video when Micro SD card is full.
- G-Sensor:** Turn on G-Sensor during looping record. When the camera is shaken, the recorded video will be locked and saved into EVENT file, so that the video is unable to be overwritten automatically.
- Photo Mode**
Self-Timer: Support self-timer at 3/5/10s setting.
Photo Burst: Support photos to 3/5/10 frames per time, press-and-hold for continuous shot.
Burst: Support photos at the interval of 3/5/10/30/60s.
 - Car Mode**
With the camera off and automotive charger connecting, when the car is started or a crash happened the camera will turn on and record automatically.

Accessories | Accessories details



Accessories | Accessories Installing



Optional Mounts | The mounts in the dotted box are sold separately

